

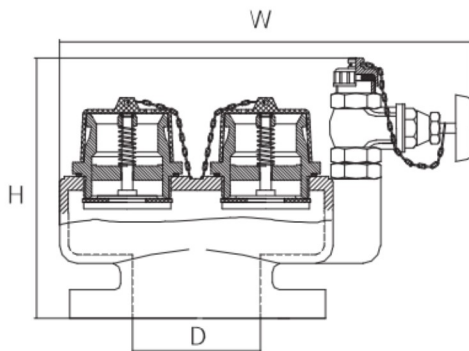
FLAMMEX



2 WAY BREECHING INLET



Technical specification



Size	H(mm)	W(mm)	D(mm)	Connections
DN100	225	300	100	2×BS336
DN100	225	300	100	2×2.5"BSP

Standard: Certificate to BS 5041-3
 Body: Ductile Cast iron
 Drain valve: 1" gate valve BS 5154
 Non-return Test 1.7 bar