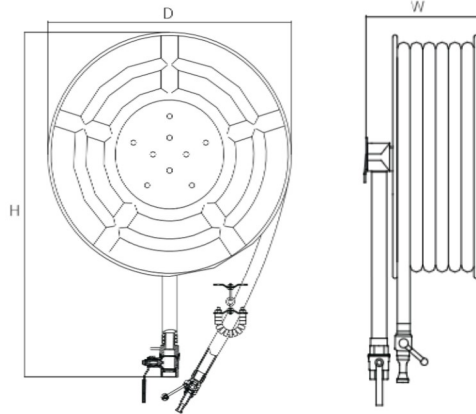


FLAMMEX



MANUAL FIRE HOSE REEL

DIMENSIONS:



SPECIFICATION

- :
 - * CE Certification to EN671-1 (approved by LPCB)
 - * Side plates 1mm cold rolled steel or stainless steel
 - * RAL3000 polyester epoxy powder coating
 - * Unwind the hose without hose guide force = 70N
 - * Red or black fire hose to EN694 approved
 - * Lever operated nozzle shut / jet / spray
 - * Maximum working pressure 12 bar, test pressure 18 bar

PREFERENCES:

Size	H(mm)	W(mm)	D(mm)	Inlet	Outlet	Type
19mm×30M	600	220	580	1"BSP	6 mm	Manual
25mm×30M	600	240	580	1"BSP	6 mm	Manual
19mm×30M	600	220	580	1"BSP	8 mm	Automatic
25mm×30M	600	240	580	1"BSP	8 mm	Automatic